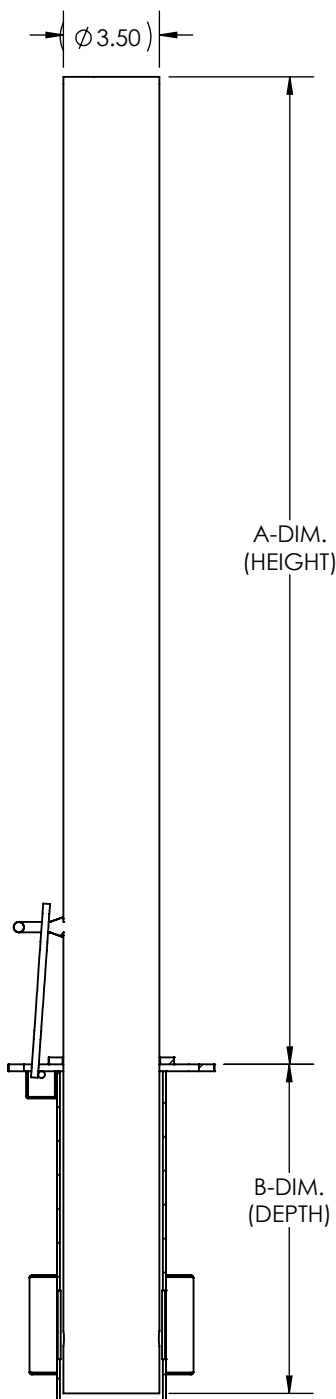
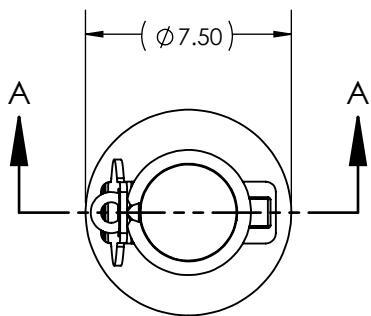


NOTES:

1. MATERIAL: 3" STAINLESS STEEL PIPE. MTR'S AVAILABLE UPON REQUEST.
2. BOLLARD HEIGHT AND EMBEDMENT DEPTH SHALL BE SPECIFIED BY CUSTOMER.



SECTION A-A

SPECIFICATIONS:

PIPE SCHEDULE: 10 40

STAINLESS STEEL GRADE: T304 T316

A-DIM.: _____

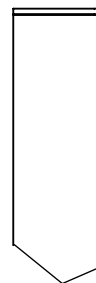
B-DIM.: _____

CAP STYLE: FLAT DOME

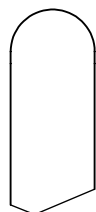
SURFACE FINISH:

#4 BRUSHED, HORIZONTAL GRAIN DIRECTION

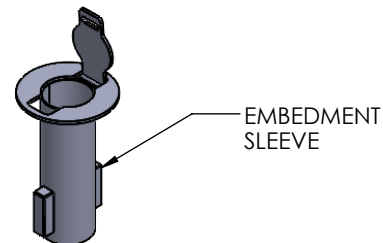
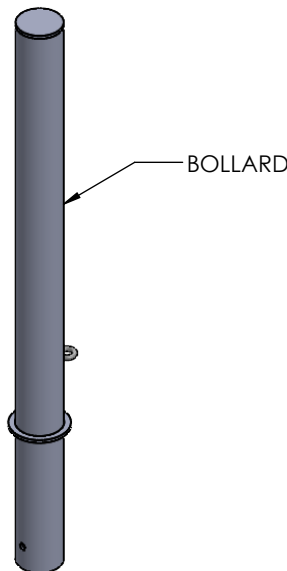
AS SPECIFIED: _____



FLAT CAP



DOME CAP



ZUMA BOLLARDS

A 7/24/22