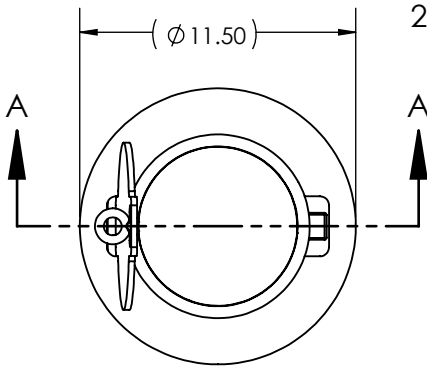


NOTES:

1. MATERIAL: 6" STEEL PIPE. MTR'S AVAILABLE UPON REQUEST.
2. BOLLARD HEIGHT AND EMBEDMENT DEPTH SHALL BE SPECIFIED BY CUSTOMER.



SPECIFICATIONS:

PIPE SCHEDULE:  10     40

A-DIM.: \_\_\_\_\_

B-DIM.: \_\_\_\_\_

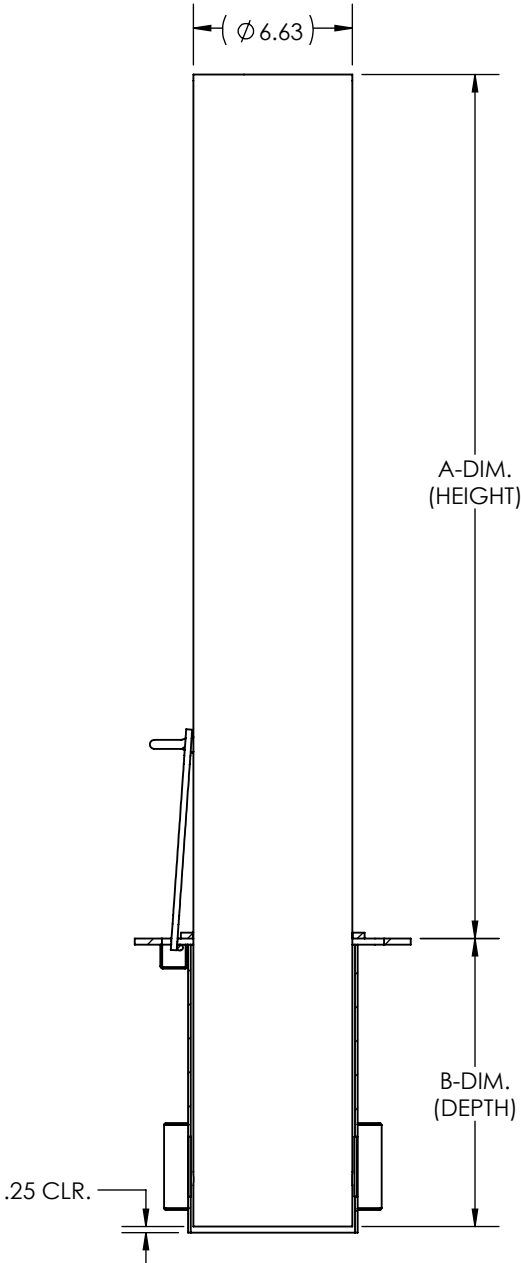
CAP STYLE:  FLAT     DOME

POWDER COAT COLOR:

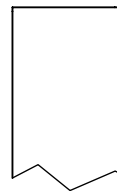
SAFETY YELLOW, RAL1023

JET BLACK, RAL 9005

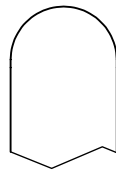
RAL#: \_\_\_\_\_



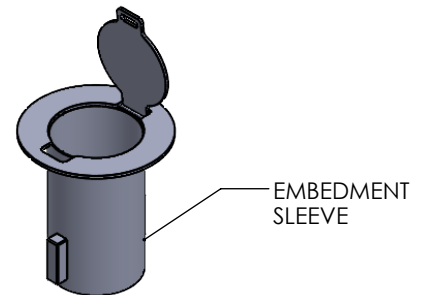
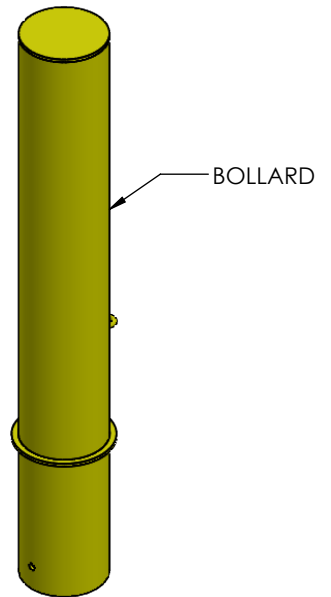
SECTION A-A



FLAT CAP



DOME CAP



**ZUMA BOLLARDS**

A 7/24/22

PRODUCT No. ZBP64CS

6" STEEL PADLOCKING REMOVABLE BOLLARD & SLEEVE

DRAWN: MSG

DRAWN DATE: 7/24/22