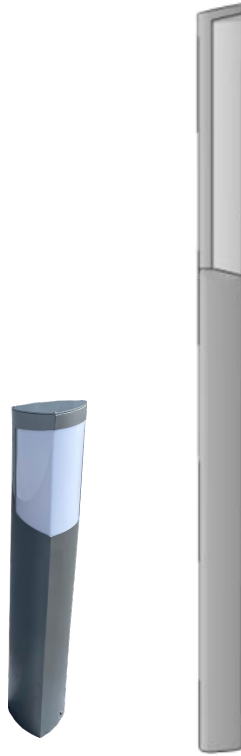




**ZUMABOLLARDS**

DESIGNING SAFETY AND SECURITY



MODEL

**TRIBECA**

TYPE

**LED BOLLARD / COLUMN**

SERIES

**ARCHITECTURAL**

**ZUMA LIGHTING LLC**

325 N LARCHMONT BLVD STE 406, LOS ANGELES, CA 90004

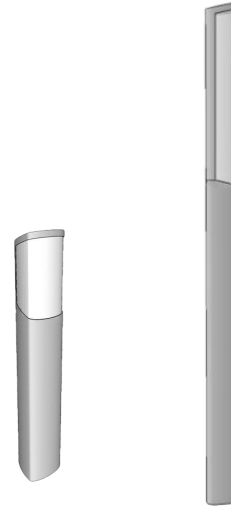
[INFO@ZUMALIGHTING.COM](mailto:INFO@ZUMALIGHTING.COM) • (310) 975-3126 • [ZUMALIGHTING.COM](http://ZUMALIGHTING.COM)

# ORDERING INFORMATION

**Model** TRIBECA

**Type** LED BOLLARD / COLUMN

**Series** Architectural



FIXTURE	SIZE	SOURCE	VOLTS	LAMP / TEMP	COLOR	LENS	OPTIONS
TRI-B (Bollard)  TRI-C (Column)  <i>*Comes standard as LED. CFL also available upon request</i>	36 = 36" (standard bollard height)  <i>*Specify any bollard height from 24" through 60"</i>  <i>**Specify any column height from 72" through 192"</i>	10W 20W 30W 40W 50W* 60W* 70W* 80W* 90W* 100W*  <i>*Bollard wattages available 10W-40W.</i>  <i>Column wattages available 10W - 100W</i>	U = 120v-277v  8 = 480v	3K = 3000K  4K = 4000K  5K = 5000K	DB = Dark Bronze  BK = Black  WH = White  SL = Silver  CC = Custom	FA = Frosted Acrylic  OA = Opal Acrylic	SP = Surge Protection  SLED= Static Color LED*  CLED = Color Changing LED*  <i>*Consult factory for color LED options</i>

# SPECIFICATIONS

## Housing

The fixture housing is fabricated from a combination of heavy duty extruded aluminum, cast aluminum, and spun aluminum.

## LED

UNIVERSAL LED, UL listed LED modules and drivers, combined with a vertical heat sink and into one configurable unit which gives precise light distribution. It allows us to offer lumen adjustment on light output. These are 10CHIP, 500 LUMEN, 525 mA,,6v. 3.2watt per module, achieving 159 lumens per watt efficacy, 82CRI at 4000K. Beside maximizing heat dissipation surface, we also utilize convection-based heat management which creates additional air flow around the strips. Unlike a big metal heat sink where the temperature for the chips in the middle is higher than the rest, the heat of each of our modules gets dissipated evenly. This innovative heat dissipation design keeps the junction temperature low and ultimately prolongs the life of the LED strips. Our modules are covered by our standard 5-year warranty and are available in many of our fixture's designs. The drivers are dimmable 0-10v.

Also available with CFL option. Contact factory for more information.

## Lens

Lens is fabricated from acrylic. Specify frosted or opal.

## Mounting Options

Mounting kit containing (4) 5/8" dia. galvanized anchor bolts for the columns, 1/2" dia. galvanized anchor bolts for the bollards, and (2) nuts & washers per bolt, included.

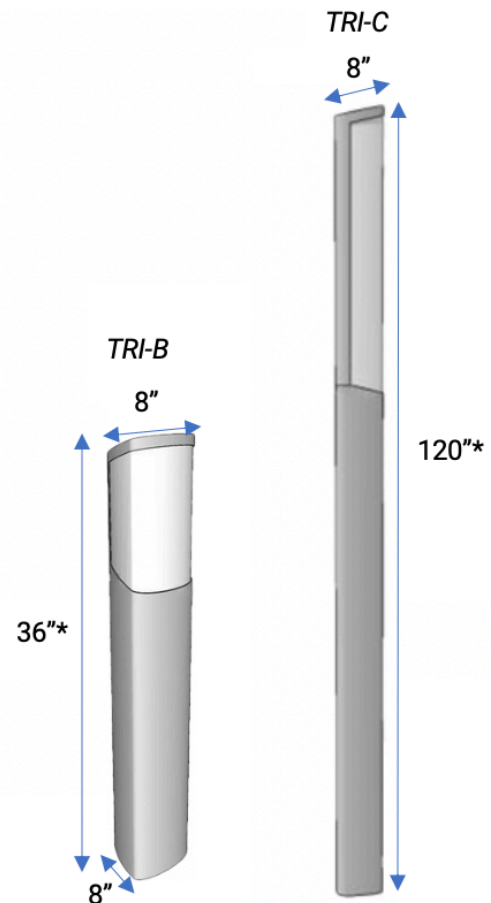
## Finish

Thermoset polyester oven-baked powder coat in any standard color. Custom colors are available to your specification.

## Certificates & Warranty

- Suitable for Wet Locations
- 5-Year Warranty

## Dimensions



*\*Custom Heights Available*