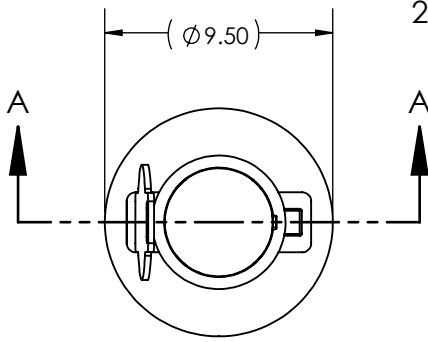


NOTES:

1. MATERIAL: 4" STEEL PIPE. MTR'S AVAILABLE UPON REQUEST.
2. BOLLARD HEIGHT AND EMBEDMENT DEPTH SHALL BE SPECIFIED BY CUSTOMER.



SPECIFICATIONS:

PIPE SCHEDULE:  10     40

A-DIM.: \_\_\_\_\_

B-DIM.: \_\_\_\_\_

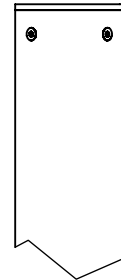
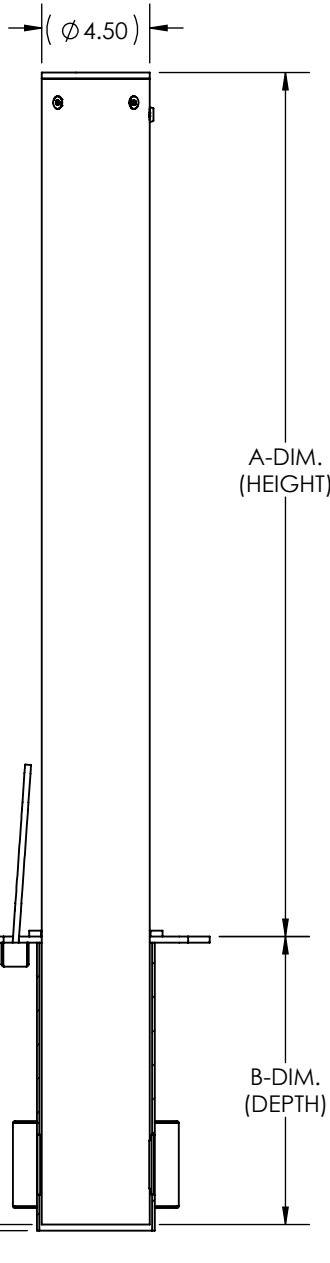
CAP STYLE:  FLAT     DOME

POWDER COAT COLOR:

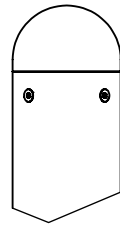
SAFETY YELLOW, RAL1023

JET BLACK, RAL 9005

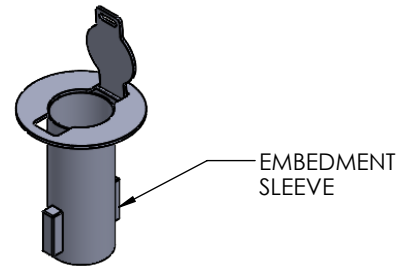
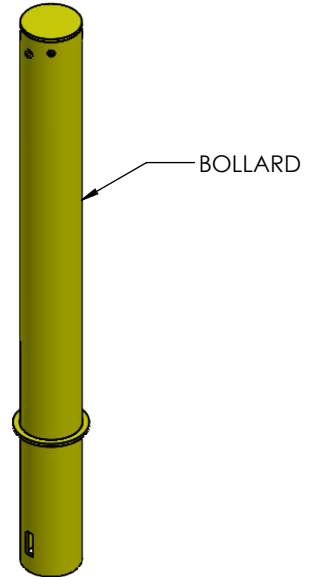
RAL#: \_\_\_\_\_



FLAT CAP



DOME CAP



SECTION A-A