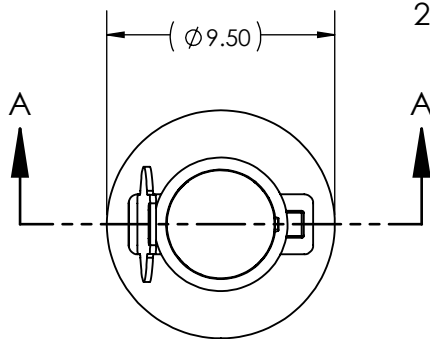


NOTES:

1. MATERIAL: 4" STAINLESS STEEL PIPE. MTR'S AVAILABLE UPON REQUEST.
2. BOLLARD HEIGHT AND EMBEDMENT DEPTH SHALL BE SPECIFIED BY CUSTOMER.



SPECIFICATIONS:

PIPE SCHEDULE:  10     40

STAINLESS STEEL GRADE:  T304     T316

A-DIM.: \_\_\_\_\_

B-DIM.: \_\_\_\_\_

CAP STYLE:  FLAT     DOME

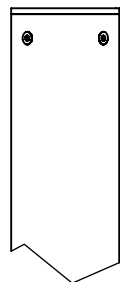
SURFACE FINISH:

#4 BRUSHED, HORIZONTAL GRAIN DIRECTION

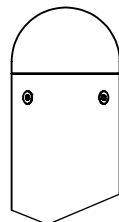
AS SPECIFIED: \_\_\_\_\_



SECTION A-A



FLAT CAP



DOME CAP

