

NOTES:

1. MATERIAL: 3" STAINLESS STEEL PIPE. MTR'S AVAILABLE UPON REQUEST.
2. TOTAL BOLLARD HEIGHT SHALL BE PROVIDED BY CUSTOMER.

SPECIFICATIONS:

STAINLESS STEEL GRADE: T304 T316

PIPE SCHEDULE: 40 80

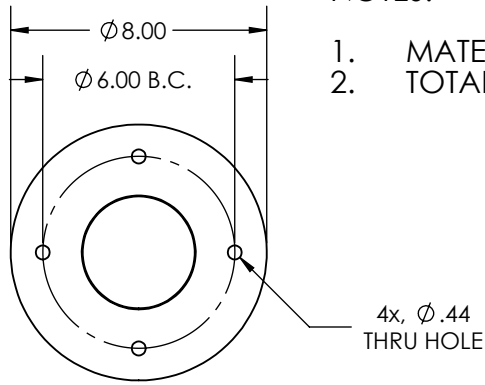
A-DIM.: _____

CAP STYLE: FLAT DOME

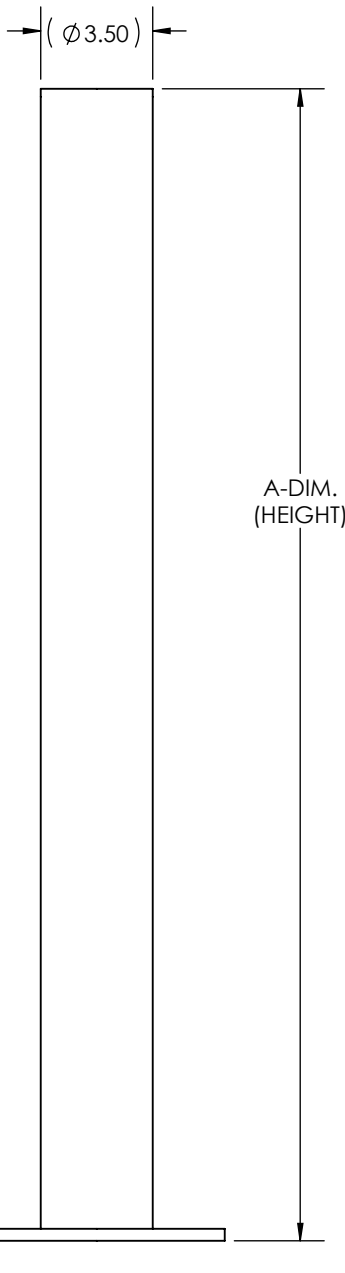
SURFACE FINISH:

#4 BRUSHED, HORIZONTAL GRAIN DIRECTION

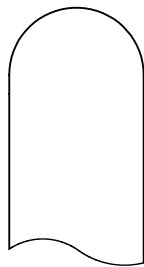
AS SPECIFIED: _____



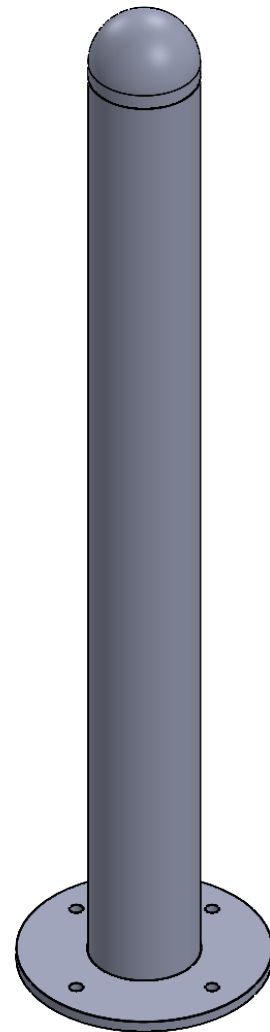
PLAN VIEW



FLAT CAP



DOME CAP



ZUMA BOLLARDS

A 7/12/22

PRODUCT No. ZBB34SS

3" SURFACE MOUNT STAINLESS STEEL BOLLARD

DRAWN: MSG

DRAWN DATE: 7/12/22