

NOTES:

1. MATERIAL: 4" STEEL PIPE. MTR'S AVAILABLE UPON REQUEST.
2. BOLLARD HEIGHT AND EMBEDMENT DEPTH SHALL BE SPECIFIED BY CUSTOMER.

SPECIFICATIONS:

PIPE SCHEDULE: 10 40

A-DIM.: _____

B-DIM.: _____

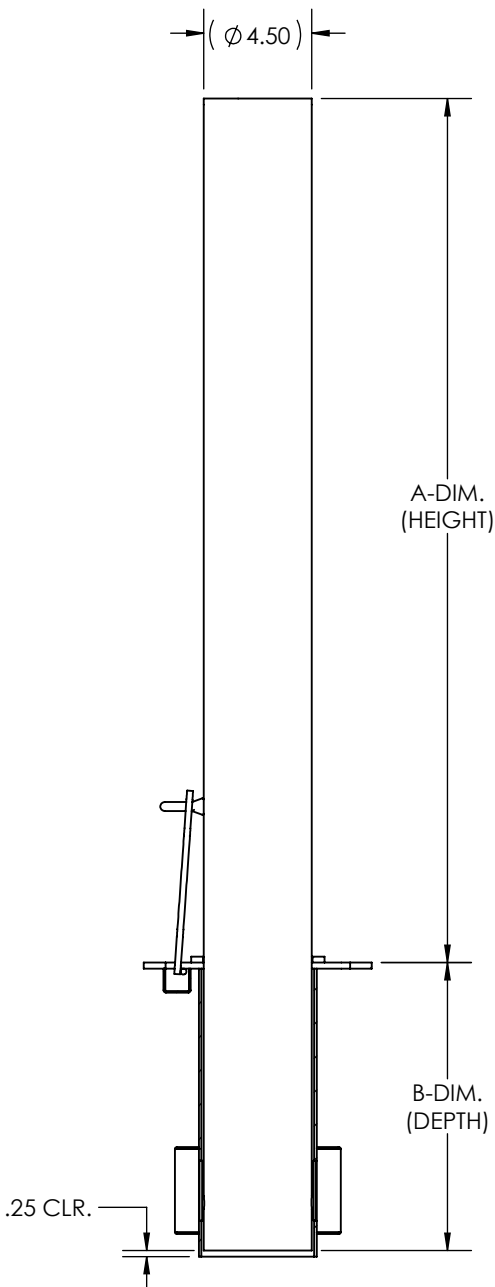
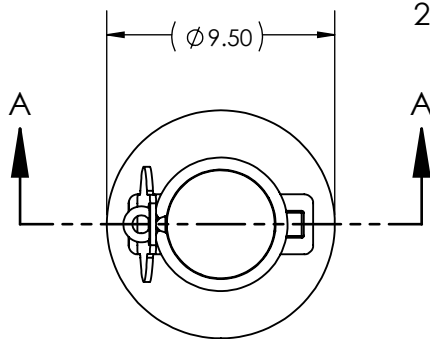
CAP STYLE: FLAT DOME

POWDER COAT COLOR:

SAFETY YELLOW, RAL1023

JET BLACK, RAL 9005

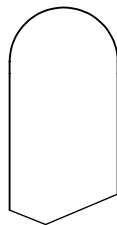
RAL#: _____



SECTION A-A



FLAT CAP



DOME CAP

