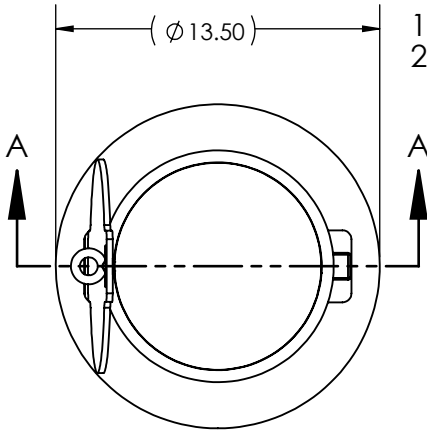


NOTES:

1. MATERIAL: 8" STAINLESS STEEL PIPE. MTR'S AVAILABLE UPON REQUEST.
2. BOLLARD HEIGHT AND EMBEDMENT DEPTH SHALL BE SPECIFIED BY CUSTOMER.



SPECIFICATIONS:

PIPE SCHEDULE: 10 40

STAINLESS STEEL GRADE: T304 T316

A-DIM.: _____

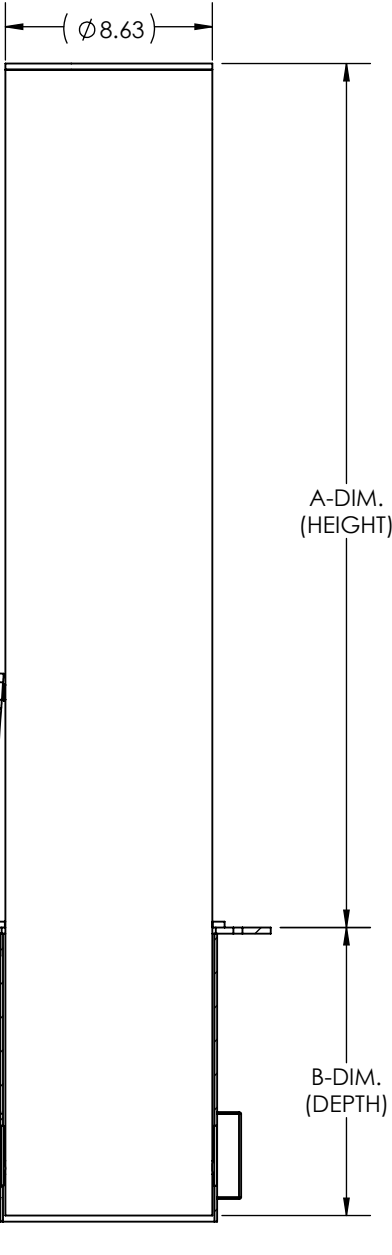
B-DIM.: _____

CAP STYLE: FLAT DOME

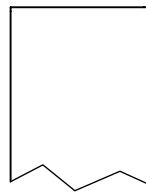
SURFACE FINISH:

#4 BRUSHED, HORIZONTAL GRAIN DIRECTION

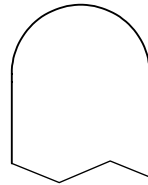
AS SPECIFIED: _____



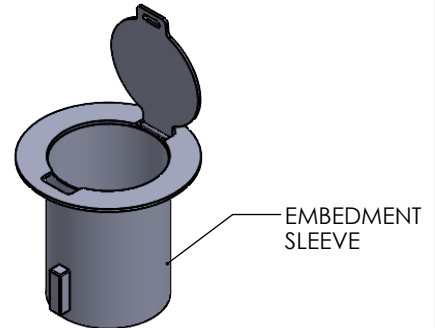
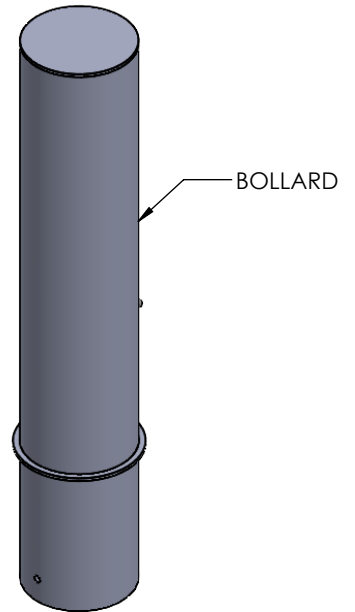
SECTION A-A



FLAT CAP



DOME CAP



ZUMA BOLLARDS

A 7/18/22

PRODUCT No. ZBP84SS

8" S.S. PADLOCKING REMOVABLE BOLLARD & SLEEVE

DRAWN: MSG

DRAWN DATE: 7/18/22